

Network Analysis SS 14

Continuous Modeling

Alexander Bockmayr

Annika Röhl

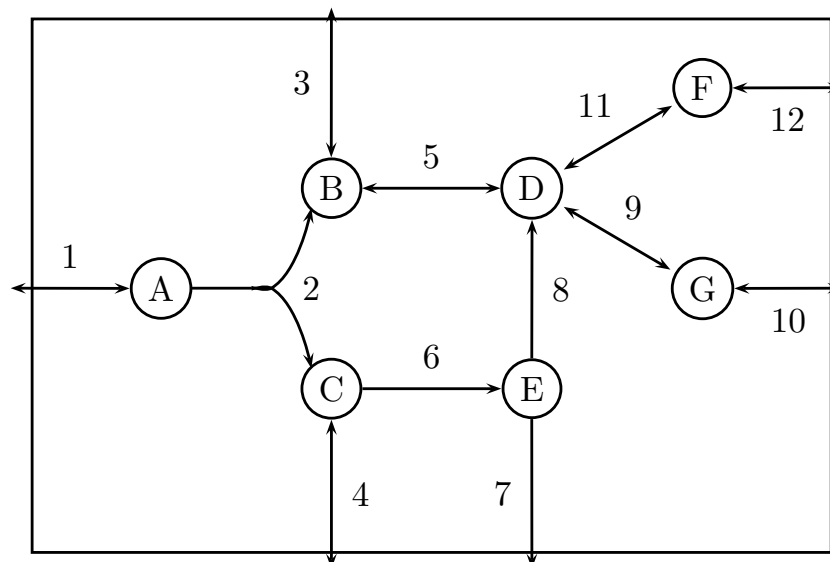
02 May 2014

1 Exercise

Write down the:

- Metabolites
- Reactions
- Irreversible reactions
- Stoichiometric matrix

for the following network:



2 Exercise

What is a flux cone? Give the mathematical description and explain what the cone has to do with a network e.g. the one in the first exercise.