

FEATURES AND SPECIFICATIONS

Features and Benefits

- Sizes 2 to 15 circuits
- Locking windows provide secure mating
- Metal solder tabs provide PCB hold-down and strain relief for SMT tails

Reference Information

Packaging: Embossed tape
 UL File No.: E29179
 CSA File No.: LR19980
 Mates With: 51021
 Designed In: Millimeters

Electrical

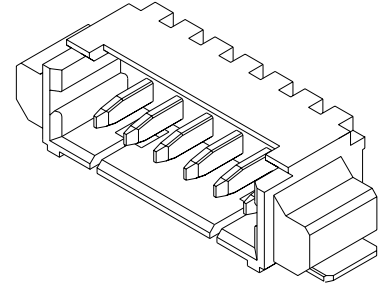
Voltage: 125V
 Current: 1.0A
 32 AWG—0.8A
 Contact Resistance: 20mΩ max.
 Dielectric Withstanding Voltage: 250V AC/1 min.
 Insulation Resistance: 100 MΩ min.

Physical

Housing: 4/6 nylon, UL 94V-0
 Contact: Phosphor Bronze
 Plating: Tin/Lead
 Solder Tabs: Phosphor Bronze, Tin/Lead plating
 Temperature: -40 to +85°C

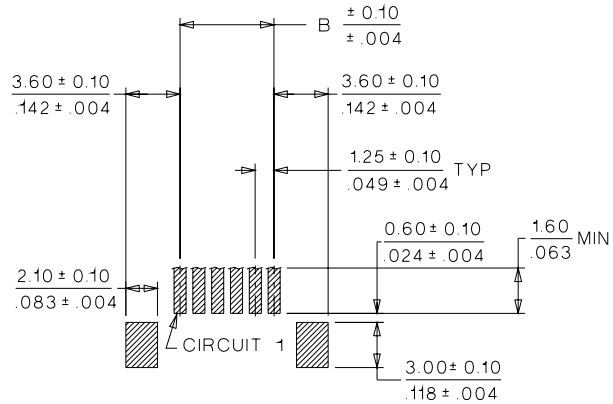
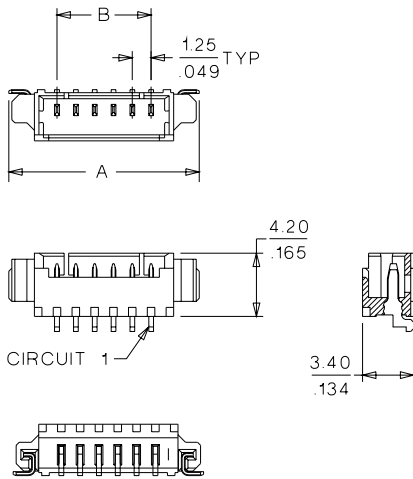
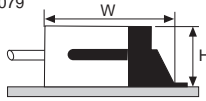
molex® 1.25mm (.049") Pitch Wire-to-Board Header

53261 Right Angle, SMT



Mating Dimensions

53261 • 51021 • 50058/50079
 H=3.4mm W=5.2mm



PCB LAYOUT: SOLDER SIDE

ORDERING INFORMATION AND DIMENSIONS

Circuits	Order No.	Dimension		Tape Width
		A	B	
2	53261-0290	7.65 (.301)	1.25 (.049)	16.00 (.630)
3	53261-0390	8.90 (.350)	2.50 (.098)	
4	53261-0490	10.15 (.400)	3.75 (.148)	24.00 (.945)
5	53261-0590	11.40 (.449)	5.00 (.197)	
6	53261-0690	12.65 (.498)	6.25 (.246)	
7	53261-0790	13.90 (.547)	7.50 (.295)	
8	53261-0890	15.15 (.596)	8.75 (.344)	
9	53261-0990	16.40 (.646)	10.00 (.394)	
10	53261-1090	17.65 (.695)	11.25 (.443)	32.00 (1.260)
11	53261-1190	18.90 (.744)	12.50 (.492)	
12	53261-1290	20.15 (.793)	13.75 (.541)	
14	53261-1490	22.65 (.892)	16.25 (.640)	44.00 (1.732)
15	53261-1590	23.90 (.941)	17.50 (.689)	